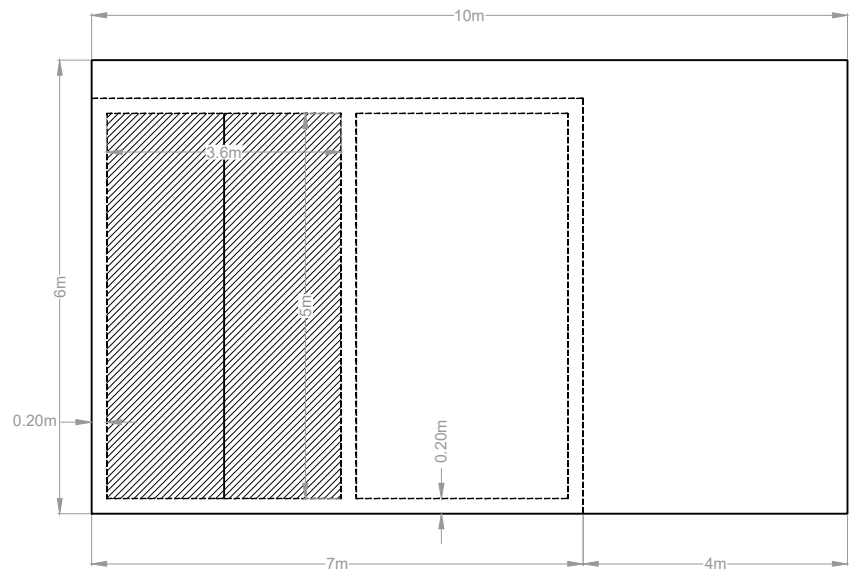
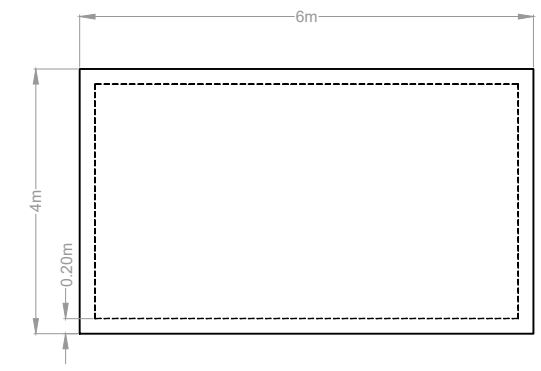


Attachment 5

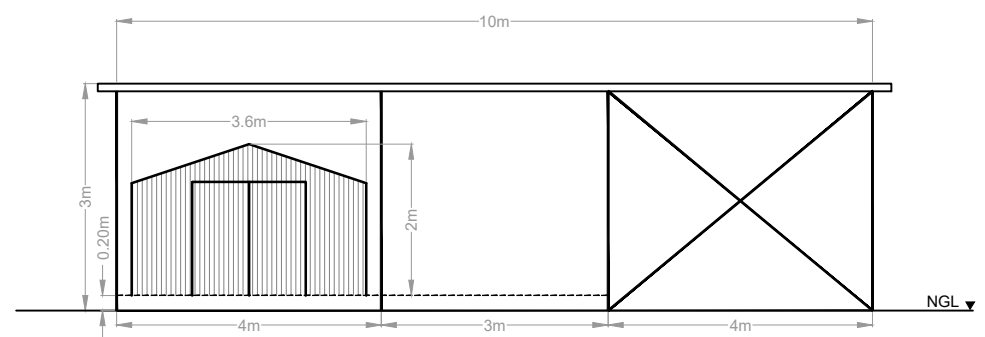
Hazardous Materials Storage Structures



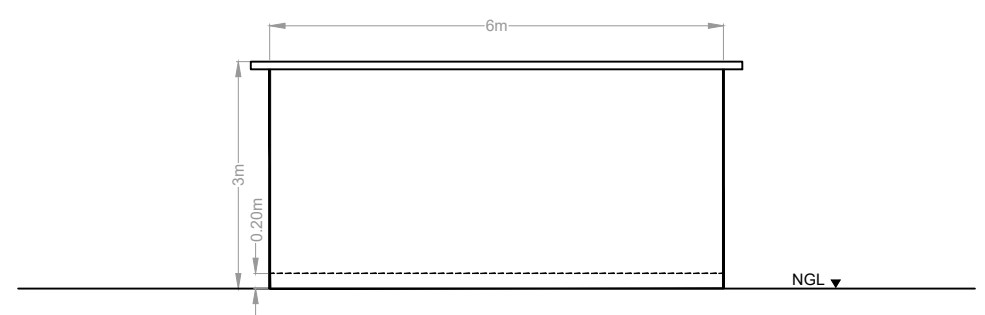
Workshop/Refueling Area 1
Plan Layout



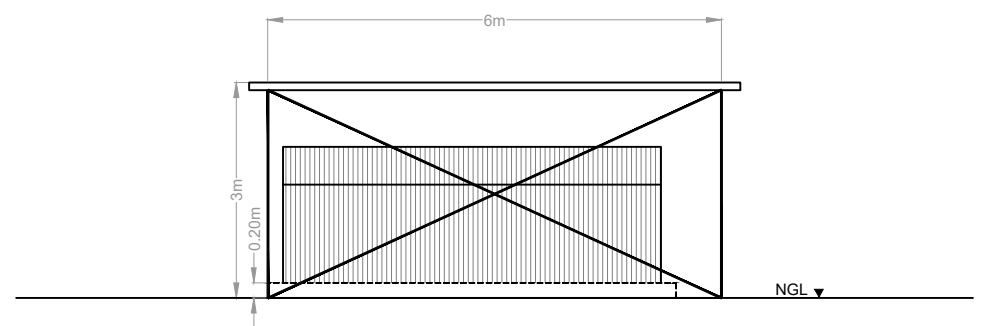
Workshop/Refueling Area 2
Plan Layout



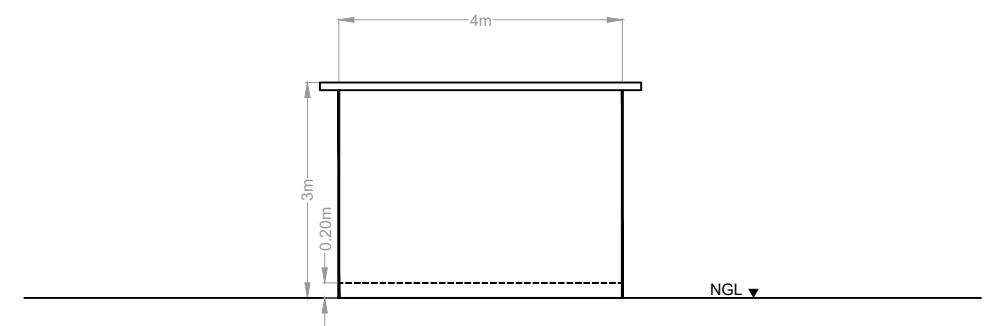
Workshop/Refueling Area 1
Front Elevation



Workshop/Refueling Area 2
Front Elevation



Workshop/Refueling Area 1
Side Elevation



Workshop/Refueling Area 2
Side Elevation

FILE NAME: F:\Jobs\700740 Neilsen - Bromelton North\000 Generic Drawings\400 DRG_490 Materials Storage Structures.dwg
JOB SUB #
CREATED: 20 July 2023

REV	DESCRIPTION	DATE	BY

Data Sources:
 Photography:
 Topography:
 Cadastre:
 Ecosystem:
 Other:

THESE DESIGNS AND PLANS ARE COPYRIGHT AND ARE NOT TO BE USED OR REPRODUCED WHOLLY OR IN PART OR TO BE USED ON ANY PROJECT WITHOUT THE WRITTEN PERMISSION OF GROUNDWORK PLUS PTY LTD. ABN: 13 609 422 791

Legend:



PROJECT: Bromelton North
 CLIENT: Neilsen Quality Gravels Pty Ltd

TITLE: Materials Storage Structures

GROUNDWORK plus

SCALE: 1:2,500

DRAWING NUMBER: 740.DRG.490

DATE: 20 July 2023

PRINTED: 24 July 2023

CHECKED: JW

DATUM: HORIZONTAL / VERTICAL / ZONE

MGA / AHD / 56