

**Attachment 2 - Indicative solar panel cross section**

## NX Horizon Self-Powered Tracker

### Our most amazing tracker yet.

In our mission to make solar a mainstream energy source, NEXTracker has engineered the most intelligent and flexible tracking technology yet. Using sustainable design methods with outcomes that benefit people and the planet, we bring you: NX Horizon™.

NX Horizon (formerly referred to as the Self-Powered Tracker or SPT), brings self-contained motor power to each row, eliminating power wiring and trenching. Our advanced horizontal tracker has the widest rotational range available, lowest O&M costs, and requires far less power to operate than other trackers. By offering more powerful systems at a greater value, NEXTracker enables greater deployment of renewable energy worldwide.

### NX Horizon key features and benefits include:

- Self-powered system with smart performance communications: Self-contained units on each row include a dedicated PV panel to provide power to the controller which drives the motor and hosts intelligent control electronics to position each tracker. With smart communications built in, NX Horizon systems can be accessed remotely, providing customers with a granular view to optimize tracker performance, operations and maintenance.
- Independent balanced rows with 120 degree rotational range: Each NX Horizon row has its own controlled motor with rotational range that delivers up to 2% more energy than typical linked row trackers. These agile, independent rows stow in less than 90 seconds to reduce wind forces

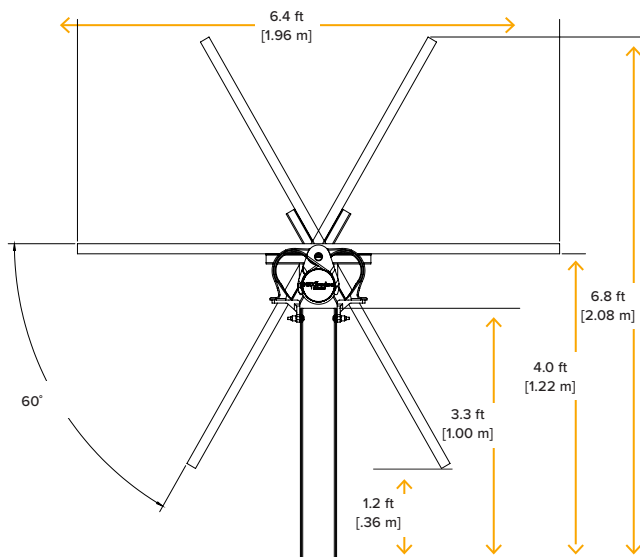
on the array, protecting the PV modules in harsh environments. NX Horizon solar trackers also have a mechanically balanced row design that aligns PV panels with the tracker's axis of rotation – which greatly reduces row torque, using less energy from the motor to track throughout the day.

- Self-grounded system with theft-proof fasteners: NX Horizon is the world's first horizontal tracker with an entirely self-grounded design. This means no separate bonding hardware is required. You save on material and associated costs by eliminating grounding washers, braided straps, bare copper wire, and grounding rods. What's more, we've designed our own fasteners that can only be removed with special tools – deterring PV theft.

# NX Horizon Specifications

<b>Tracking Technology</b>	Horizontal single-axis balanced-mass tracker with independently-driven rows
<b>Tracking Range</b>	Up to 120° (± 60°)
<b>Control System</b>	1 Self-Powered Controller (SPC) per tracker; 1 Network Control Unit (NCU) per 100 SPCs
<b>Communications</b>	Wireless ZigBee® mesh network/SCADA; no communication wiring required
<b>Drive System</b>	One slew gear, 24 VDC motor and self-powered controller w/dedicated solar panel per row
<b>DC Capacity</b>	23-35kWp per tracker row, depending on panel type. Row length up to 90 panels.
<b>System Voltage</b>	1,500 volt or 1,500 volt
<b>Power Consumption</b>	No grid power required
<b>Ground Coverage Ratio</b>	Fully configurable by customer; typical range 33%-50%
<b>Installation Method</b>	Rapid field assembly, no welding required
<b>Foundation Types</b>	Compatible with all major foundation types (driven pier, concrete foundation, ground screw)
<b>Standard Wind Design</b>	100 mph/161 kph, 3 second gust per ASCE7-10; configurable for higher wind speeds
<b>Safety Stowing</b>	Automated wind and snow stowing with self-contained backup power; no external power required
<b>Torsional Limiter</b>	Included at each foundation/bearing for additional wind and snow load protection
<b>Principal Materials</b>	Galvanized and stainless steel
<b>Grounding Method</b>	Self-grounding structure; separate materials and labor not required
<b>Compliance</b>	Grounding/bonding: UL2703; structural design: ASCE7-10
<b>Other Available Options</b>	Snow and flood sensors
<b>Warranty</b>	10 years on structural components; 5 years on drive and control systems
<b>Typical Dimensions</b>	Height 2.1 m/6.8 ft (@ 60°), Width 2.0 m/6.4 ft, Length 85 m/283 ft

Typical 72-cell c-Si configuration: 85 m row with 80 panels mounted in portrait:



**NEXTracker**

6200 Paseo Padre Parkway  
Fremont, CA 94555 USA  
+1 510 270 2500  
nexttracker.com

printed on post-consumer waste paper

